

MIRROR

PLANCHA
Drop in



ERU 4 RC DI

FEATURES

Power: 4 kW

- ✓ Electronic control
- ✓ Optional grooved surface
- ✓ Temperature control up to 285°C
- ✓ Easy cleaning and maintenance
- ✓ Designed and manufactured in the EU

- ✓ Fat recovery by gutter on all 4 sides
- ✓ 50 micron hard chrome plating
- ✓ 18 mm thick plate
- ✓ AISI 304 stainless steel body
- ✓ Electronic safety thermostat
- ✓ Regulation by electronic thermostat



www.mirror.es

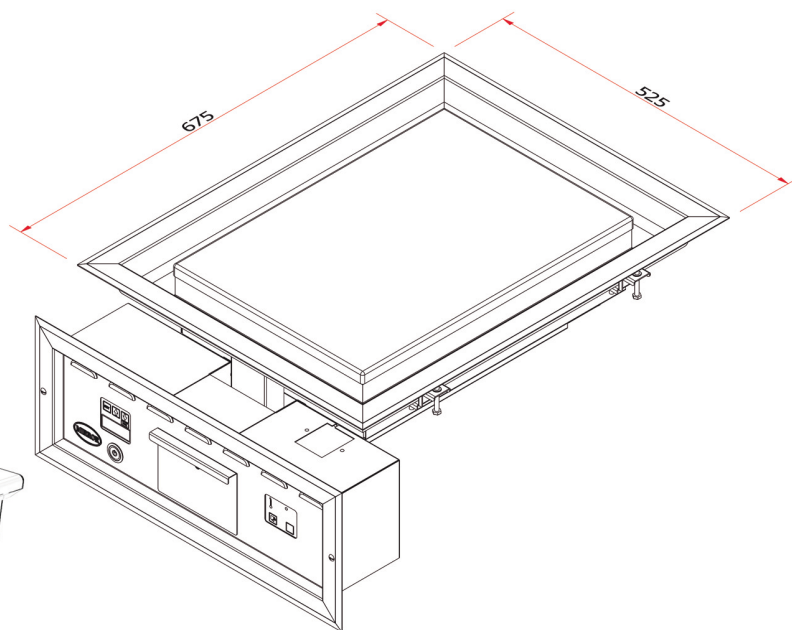
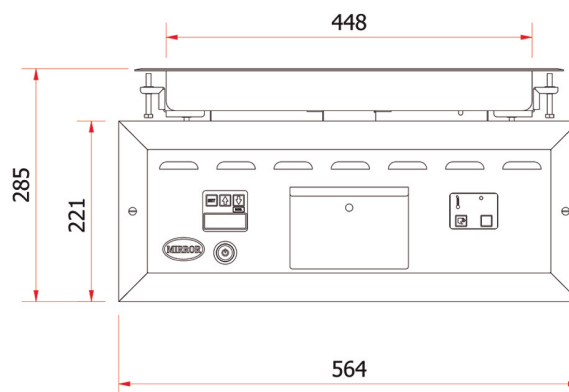
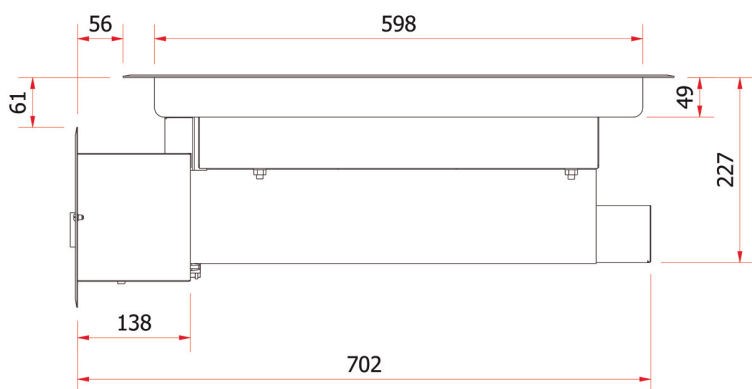
C/ Crom 57, Hospitalet de Llobregat 08907, Barcelona, España

Tel.: (+34) 336 87 30

Email: sales@mirror.es

Technical specifications

Voltage	380 / 415 V 3F+N
Freq.	50/60 Hz
Power	4 kW
Cooking area	350 x 500 mm
Max. Temperature	285 °C
Grease drawer	1 x 4 L



* ERU 4 RC DI

Optional extras

- Grooved surface.

External dimensions and weight

Width	564 mm
Depth	731 mm (Min.)
High	285 mm
Weight	43 kg



www.mirror.es

C/ Crom 57, Hospitalet de Llobregat 08907, Barcelona, España

Tel.: (+34) 336 87 30

Email: sales@mirror.es